

VCC-P7575PA/P7575P

Specifications

Model No.	VCC-P7575PA (Options Available)	VCC-P7575P
Scanning system	PAL standard 625 lines, 50 fields/sec.	
Image sensor	1/4" Interline transfer method CCD (3.6 x 2.7 mm)	
Number of pixels	Total: 759 (H) x 596 (V), Effective: 752 (H) x 582 (V)	
Horizontal resolution	More than 520 TV lines	
Minimum illumination (approx.)	20 IRE 50 IRE	0.76 lx (F1.9, Gain High) 1.9 lx (F1.9, Gain High)
Video output	1.0 Vp-p/75 ohms, composite	
Video S/N ratio	More than 50 dB (AGC Off)	
Backlight compensation	ON (multi-spot metering [High/Normal], center-zone metering) / OFF	
White balance	ATW / AWC / Manual (MWB) / Outdoor (3200) / Indoor (5600) / Fluorescent (FLUO)	
Gain control	High / Normal / Off	
Gamma	0.45 / 1	
Lens	Built-in motorized zoom pan-focus auto iris lens, f=2.8-7.3 mm (x2.6), F1.9-3.0	
Electronic shutter	1/50, 1/120, 1/250, 1/500, 1/1000, 1/2000, 1/4000, 1/10000 sec.	
Motion detector	On / Off: Motion zoom function	
Privacy masking	On / Off: Max. 4 masked locations	
Alarm input	1 (NO / NC), with alarm zoom function	
Character display	On / Off, Camera ID max. 16 characters, adjusting position	
Synchronizing system	Internal synchronization / Line lock	
Aperture compensation	High plus / High / Normal / Off	
Environmental conditions	Operating	Storage
Power supply	12-15V DC / 24V AC ±10%, 50 Hz	
Power consumption (approx.)	3.5 W [without option] 9.5 W [with option]	3.5 W
Dimensions (Dia. x H)	ø150.6 x 115.5 mm (ø6.0 x 4.5 in.)	ø150.6 x 103.5 mm (ø6.0 x 4.2 in.)
Weight (approx.)	600 g (1.32 lbs.) [without options]	585 g (1.29 lbs.)

Option Boards Mountable in the VCC-P7575PA

Network board VA-50LAN	Bandwidth limit: No limit / 128 Kbps to 4 Mbps Alarm buffer: 8 MB max., adjustable Interface: 10BASE-T / 100BASE-TX RJ45 terminals, links shown by OSD
SSP + Twisted pair board VA-50ST	Communication protocol: Coaxial control: SSP/H-SSP/PELCO-C RS485: SSP/PELCO-D Video out: Coaxial cable / Category 5 LAN cable (NVT built-in UTP video)

VA-SW3050LITE Viewer Software (Bundled with VA-50LAN)

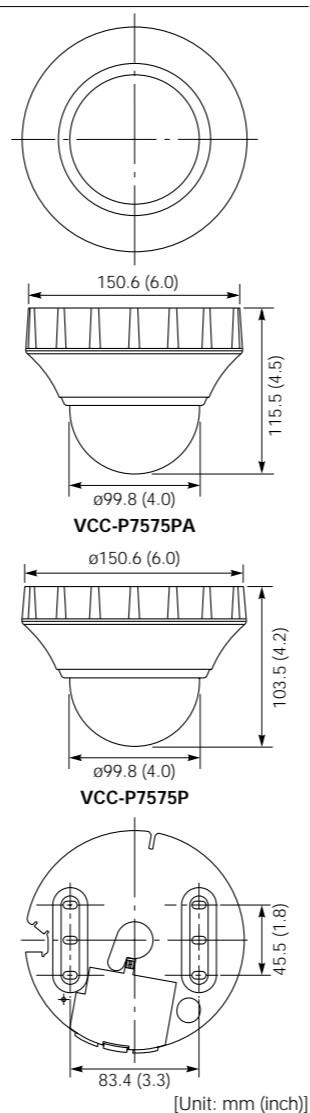
Compression	JPEG
Picture resolution	720 x 286 / 640 x 480 / 360 x 286 / 180 x 143 pixels
Picture quality	5 levels (Basic, Normal, Enhanced, Fine, Super Fine)
Frame rate	Max. 25 IPS (720 x 286)
Network protocols	TCP, UDP, HTTP, HTTPS, SMTP, NTP, DHCP, FTP, UPnP
System requirements	
Computer	IBM PC/AT and compatible machines
OS	Windows® 2000 Professional SP4 / Windows® Home SP2 / Windows® XP Professional SP2
CPU/Memory	4 cameras connected CPU: Pentium® IV 2.0GHz or higher Memory: 512MB or more 5-16 cameras connected CPU: Pentium® IV 3.0GHz or higher Memory: 1GB or more
Interface	100Base-TX
Display card	1,024 x 768 pixels, more than 16,000,000 colors or 24-bit color, PCI Express graphics card or AGP graphics card with support for hardware overlay (Latest version of DirectX® driver, DirectX9.0c, required)

Caution: Please consult the instruction manual to ensure safe and proper operation of the product.

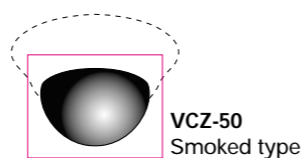


DI Company of SANYO Electric Co., Ltd. obtained Quality Management System ISO 9001 and Environmental Management System ISO 14001 certifications.

Dimensions



Optional Dome Cover



NOTE: Specifications subject to change without notice.
 * IBM® and * IBM PC/AT® are trademarks of International Business Machines Corporation in the U.S.A.
 * NVT® is a trademark of Network Video Technologies, Inc.
 * Windows, * DirectX® and * Internet Explorer® are registered trademarks of Microsoft Corporation in the U.S.A. and other countries.
 * Pentium® is a registered trademark of Intel Corporation or its subsidiaries in the U.S.A. and other countries.
 * All other brand, product and company names are trademarks or registered trademarks of their respective holders.

1/4" Color CCD Indoor Mini Dome Camera



VCC-P7575PA

Built-in x2.6 Motorized Zoom Pan-Focus Lens

(f = 2.8-7.3mm) No focus adjustments



Pan-focus lens image



Varifocal lens image

SANYO

VCC-P7575PA (Options Available) VCC-P7575P

PAN-FOCUS
Technology in Perspective

520-TVL Resolution
Network/UTP Video
Transmission Connectivity
(With board options for VCC-P7575PA)
Remote Camera Setting
by VAC-70

Made in Japan

The product introduced here is manufactured in Japan utilizing advanced technologies and quality control.

Distributed by:

SANYO

SANYO Electric Co., Ltd.
www.sanyosecurity.com

©2006 SANYO Printed in Japan '06.4. MA.

SMS122

Comparative images are representations only.



VCC-P7575P

The easy-to-install, high-performance security camera

Enhanced accuracy of surveillance and compatibility with a diversity of systems and environments

Featuring a pan-focus lens for clear images of fore-, mid- and background subjects simultaneously. The arrival of the VCC-P7575P and VCC-P7575PA marks the realization of high-performance surveillance cameras loaded with a pan-focus lens and other advanced features enabling easy setup and operation. Both models deliver outstanding cost performance as general-purpose cameras that can be integrated into a diversity of systems and environments.



VCC-P7575PA

High Performance

PAN-FOCUS

Technology in Perspective

Focuses on all objects simultaneously with x2.6 pan-focus lens

When using a varifocal lens, objects in front of and behind the main focus point appear blurred. This has led to the development of deep-focus techniques allowing simultaneous focusing

on all objects in the field of view. Early research and develop by SANYO has resulted in successful product development of a x2.6 pan-focus lens offering a picture with a greater depth of field. Now clearer pictures, even of distant objects, can be achieved with cameras for surveillance applications.



Pan-focus lens image

- Clear focusing on all shooting areas with great depth of field
- No focus adjustments
- Remote zoom adjustment possible with VAC-70 camera control unit and VA-50ST/VA-50LAN board option for VCC-P7575PA.



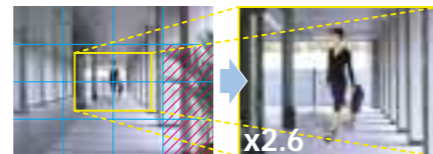
Varifocal lens image

- Clear focusing on a specific area
- Manual focus adjustments
- Manual zoom adjustments

Flexible Motion Detection

Sensing is performed by splitting the field of view into 16 areas. Movement and brightness levels within the picture are analyzed to accurately detect surveillance targets. Upon detection, the camera sends an alarm status signal* and captures the object at zoom magnifications of up to x2.6. Fine adjustments of settings such as sensitivity, tracking time, zoom ratio and areas not requiring detection can also be made.

*Only when using the VCC-P7575PA with VA-50LAN or VA-50ST board option (sold separately) and network or SSP connection.



Areas with swaying trees or flickering light, etc. can be eliminated to avoid false alarms. Surveillance of the detected object can be conducted at a zoom magnification of x1.0, x1.4, x2.0 or x2.6.

Privacy Masking

When there is a house or even an object as small as a window within the camera frame, it is possible to mask the area so that it will not appear on the monitor screen to protect other people's privacy. Up to 4 rectangular masks of arbitrary size can be set per screen.



520 TV Line Resolution

Features SANYO's DSP circuitry and a high performance 1/4-inch CCD for horizontal resolution of more than 520 TV lines and superior color reproduction. Delivers sharp, crisp images for greater precision in surveillance under a varied range of conditions.



Super high resolution at 520 TVL

Standard resolution

Intelligent Backlight Compensation

VCC-P7575P and VCC-P7575PA feature two selectable backlight compensation modes: multi-spot metering (applied to the whole screen) and center-zone metering (applied to the central portion only).



Multi-spot metering measures luminous intensity in 64 areas on screen to enable optimal backlight compensation even for peripheral and moving objects.

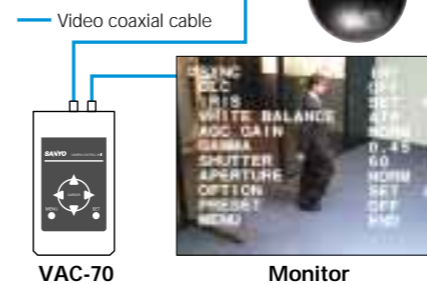
Easy Setup and Usability

Installation, setup and operation made easy by simple, user-friendly design

Based on a development concept featuring a pan-focus lens for the realization of advanced surveillance functions together with enhanced operability and ease of installation. The VCC-P7575P and VCC-P7575PA increase lens function and camera maneuverability to simplify operation, save resources spent in installation and substantially heighten the available degree of freedom.

On-screen setup and adjustment after installation

Fine-tuning of zoom ratio and video settings, etc. can be made while viewing a monitor screen when connected to the VAC-70 controller (sold separately). Saves labor during installation and allows a flexible response to changes arising after operation has been initiated.



VAC-70

Monitor

Easy interior access and setup

The camera unit and bottom cover can be detached very simply. Moreover, easy attachment and detachment of the bottom cover to and from the base plate for installation to a ceiling or wall simplifies set-up and camera angle adjustment at the point of surveillance.



Backside

Easy access & setup

Bottom cover

Base plate



Ceiling

Easy access & setup

AC or DC Power Source Operation

The VCC-P7575P and VCC-P7575PA can operate on either 12 V DC (12-15V DC) or 24 V AC (50 Hz, and even at a tolerance of ±10%). Switching to the correct mode occurs automatically when power is supplied.

After fastening the base plate at the point of surveillance, installation is completed by simply snapping on the bottom cover and the camera unit.

Flexibility

Board options for even greater functionality with the VCC-P7575PA

VA-50LAN

Network board
Expansion board for connection to a network configured with VDC-DP7585P or VCC-P7575PA. Enables networked operation of cameras from a computer via a web browser (Internet Explorer only). Bundled with VA-SW3050LITE (viewer software).

VA-50ST

SSP + Twisted pair board
Coaxial control: SSP/H-SSP/PELCO-C
RS485: SSP/PELCO-D
Twisted pair terminal (CAT5) for video signal: NVT built-in UTP video



Network Recorder VA-SW3050

Sold separately as optional software.



Dedicated software for recording, playback and monitoring of video feeds from a multiplicity of surveillance cameras.

Specifications

Compression	JPEG
Picture resolution	720 x 286 / 640 x 480 / 360 x 286 / 180 x 143 pixels
Picture quality	5 levels (Basic, Normal, Enhanced, Fine, Super Fine)
Frame rate	Max. 25 IPS (720 x 286)
Network protocols	TCP, UDP, HTTP, HTTPS, SMTP, NTP, DHCP, FTP, UPnP
Number of simultaneous log-in users	Up to 16 users (admin: only by one person)
System requirements	Computer: IBM PC/AT and compatible machines OS: Windows® 2000 Professional SP4 Windows® Home SP2 / Windows® XP Professional SP2
CPU/Memory:	
4 cameras connected	CPU: Pentium® IV 2.0GHz or higher Memory: 512MB or more
5-16 cameras connected	CPU: Pentium® IV 3.0GHz or higher Memory: 1GB or more
Interface:	100Base-TX
Display card:	1,024 x 768 pixels, more than 16,000,000 colors or 24-bit color, PCI Express graphics card or AGP graphics card with support for hardware overlay (Latest version of DirectX® driver, DirectX9.0c, required)